



DHSL - ISSCO FMC Tempest De-Icers

Specification for year 2000 - 2001 units

Duncan Holman
DHSL
Office: +44 (0)1256 381 833

Eric England
ISSCO Ltd.
Mob: +44 (0)7801 306 427

Section 3. Chassis Specification

CHASSIS SPECIFICATION

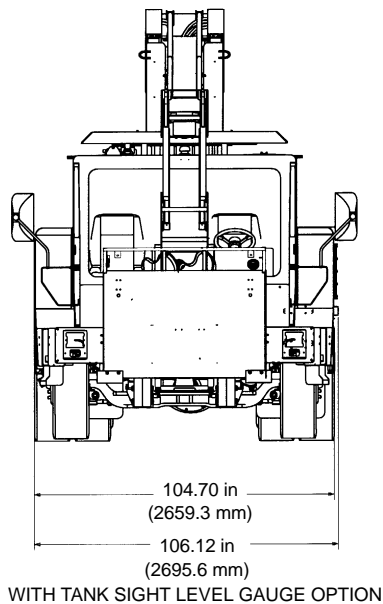
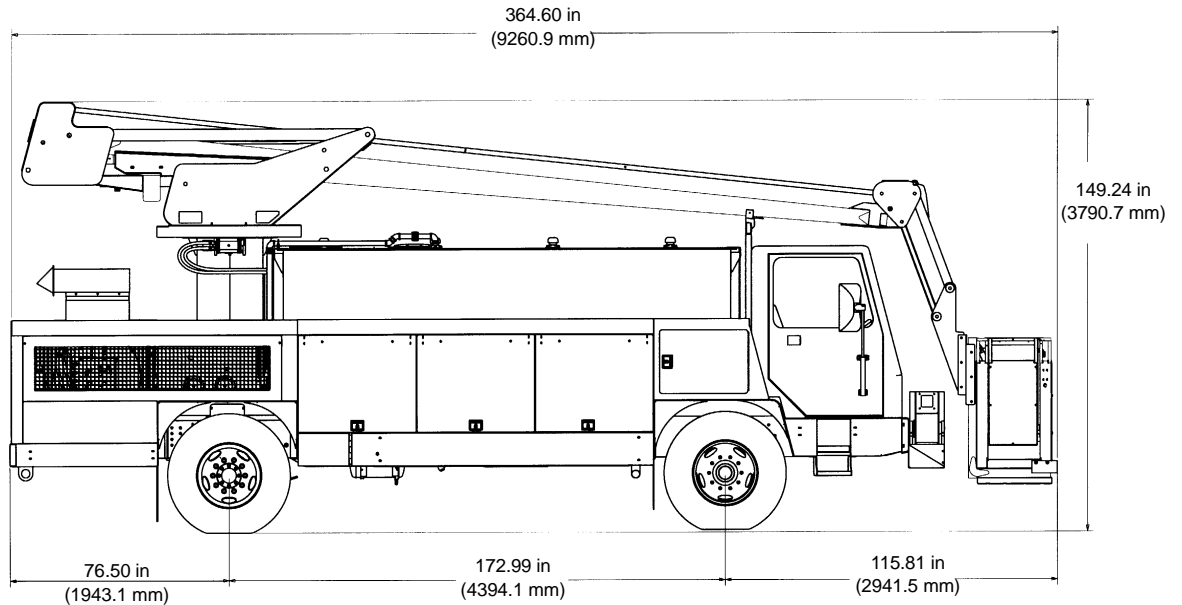
GVW	41,740 lbs. (18,973 Kg.)
Dimensions	
– Overall Length	364.60 in. (9260.9 mm)
– Overall Width	104.70 in. (2659.3 mm)
– Overall Height Folded	149.24 in. (3790.7 mm)
– Wheelbase	172.99 in. (4394.1 mm)
– Cab Rear to Rear Axle Center Line	76.50 in. (1943.1 mm)
Maximum Speed	25mph (40 km/hr)
Alternator	70 amp.
Batteries	900CCA, 195 min. Reserve Capacity
Engine	Cummins 6BT5.9C, 6 Cyl., 5.88 Liter, Diesel
Starter	24 Volt
Brake System	
– Service	Dual Circuit pneumatic
– Parking	Spring Set
Drive System	
– Make and Model	Sauer Sundstrand Hydrostatic
– Speeds	Variable
Tires	
– Front	315/80R22.5
– Rear	315/80R22.5
Model, Make Rear Axle	Meritor RS23160
Final Drive Axle Ratio	15.5
Fuel Capacity	100 Gallons (379 Liters)

DEICER SPECIFICATION

Maximum Operating Speeds

– Maximum speed with person in basket or with boom raised	4 mph (6.5 km/hr)
– Maximum speed with tanks full	25 mph (40 km/hr)
Engine/Heater Fuel Capacity	100 Gal. (379 Liters)
Deicing Fluid Capacity	1600 Gal. (6057 Liters)
Anti-icing Fluid Capacity	400 Gal. (1514 Liters)
Total Tank Capacity	2000 Gal. (7571 Liters)
Boom Lifting Capacity	675 Lbs. (306 Kg.)
Maximum Height – Ground to Floor of Basket	39 ft. 6 in. (12 m)
Maximum Working Height	44 ft. 6 in. (13.6 m)
Maximum Side Reach	31 ft. (9.5 m)
Travel of Elevators	75°
Travel of Boom	20° From Vertical
Rotation	350° (± 175° From Forward Position)
Load Test with Boom in Position of Maximum Tipping Moment with Tank and Spring	675 Lbs. (306 Kg.)
Approximate Weight of Vehicle with Empty Tanks	26,215 Lbs. (11,916 Kg.)
Approximate Gross Weight of Vehicle with Full Tanks	41,740 Lbs. (18,973 Kg.)

Weight	EMPTY	FULL
Front	12,776 Lbs. (5807 Kg.)	21,254 Lbs. (9661 Kg.)
Rear	13,439 Lbs. (6109 Kg.)	20,486 Lbs. (9312 Kg.)



NOTE:

UNIT SHOWN IS A BASIC (GENERAL) CONFIGURATION
 LENGTH SHOWN IS WITH L.H. JOYSTICK BASKET

**Figure 1
 CHASSIS SPECIFICATIONS**