



Duncan Holman Services Limited

Unit 5, Derby Dell Buildings
Bentworth Road, Lasham,
Alton, Hants. GU34 5RX
Tel: 01256 381 833

MT Workshop, Ninian Road,
Aberdeen Airport, Dyce
Aberdeen. AB21 0PD
01224 772 937

DHSL 13 Located at Lasham Workshop GU34

FMC LMD 2000
Serial Number MOD209096007
Build October 1996



Previously located in LHR
Mileage Hrs 4355
Heater Hrs 124
Eng Hrs 2685

Service October 2016
Fire suppression system checks October 2016
Boiler service October 2016
Load and LOLER tested October 2016
Fluid Calibrations October 2016

32\$

Section 4. Modular Deicer Unit Specifications

DEICER UNIT

Overall Length	30 ft. 10 in. (9409 mm)
Overall Width	8 ft. 2 in. (2490 mm)
Overall Height Folded	11 ft. 10 in. (3609 mm)
Maximum Operating Speeds	
– Maximum speed with person in basket or with boom raised	4 mph (6.5 km/hr)
– Maximum speed with tanks full	25 mph (40 km/hr)
Fuel Capacity – Auxiliary Engine / Heater	125 Gal. (473 Liters)
Deicing Fluid Capacity	1800 Gal. (6814 Liters)
.....	1600 Gal. (6057 Liters) (Optional)
Anti-icing Fluid Capacity	200 Gal. (757 Liters)
.....	400 Gal. (1514 Liters) (Optional)
Total Tank Capacity	2000 Gal. (7571 Liters)
Boom Lifting Capacity	450 Lbs. (204 Kg.)
Boom Reach Capacity from ground to floor of basket	42 ft. (12802 mm)
Rotation	350° (± 175° From Forward Position)
Maximum Working Height	46 ft. (14021 mm)
.....	51 ft. 6 in. (15951 mm) (Optional)
Maximum Side Reach	31 ft. (9449 mm)
Load Test with Boom in Position of Maximum	
Tipping Moment with Tank and Spring	675 Lbs. (306 Kg.)
Sound Pressure Level	
– Chassis Cab Drivers Seat	75dB(A)
– In Basket	75dB(A)
– Ground Control Station	84dB(A)
Vibration Level	
–Acceleration Value to Arms	Does not exceed 8.2 ft/s ² (2.5 m/s ²)
–Acceleration Value to Body	Does not exceed 1.6 ft/s ² (0.5 m/s ²)
Approximate Weight of Vehicle	
with Empty Tanks	34,623 Lbs. (15705 Kg.)
Approximate Gross Weight of Vehicle with Full Tanks	52,692 Lbs. (23901 Kg.)

NOTE: Weight of vehicle will vary with chassis type and available options.

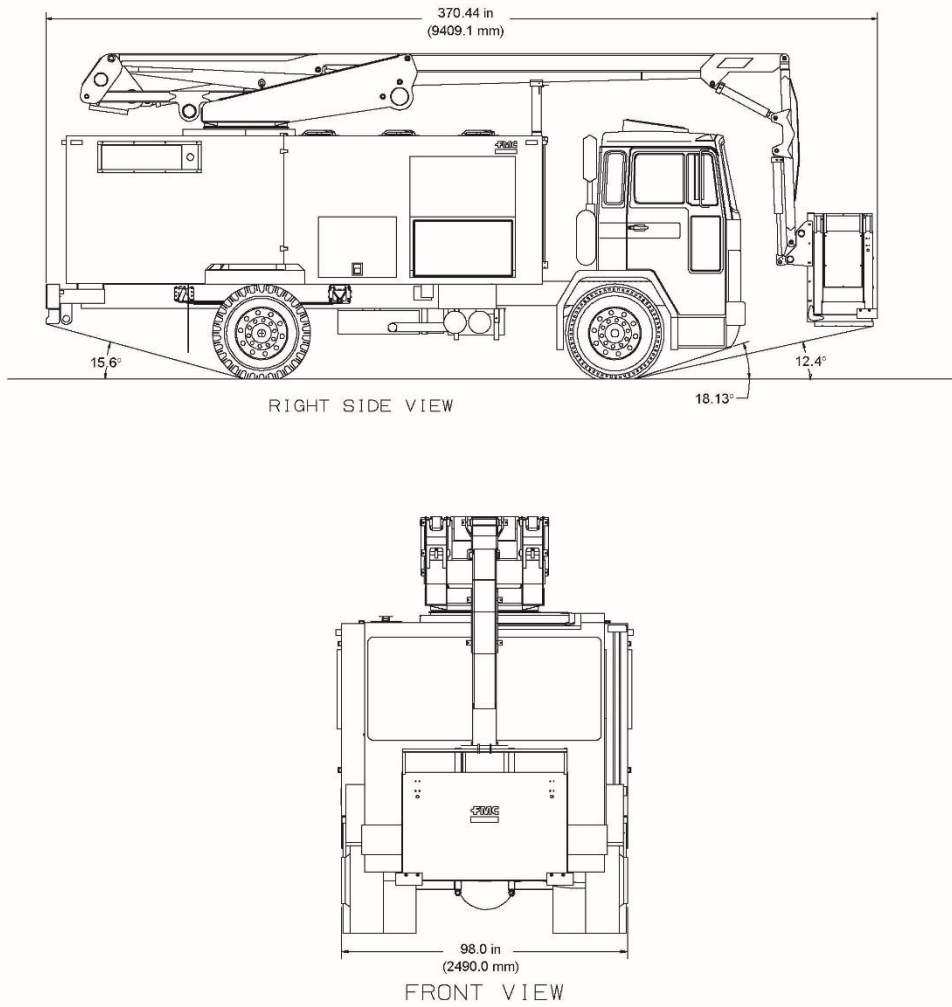


Figure 2
UNIT DIMENSIONS

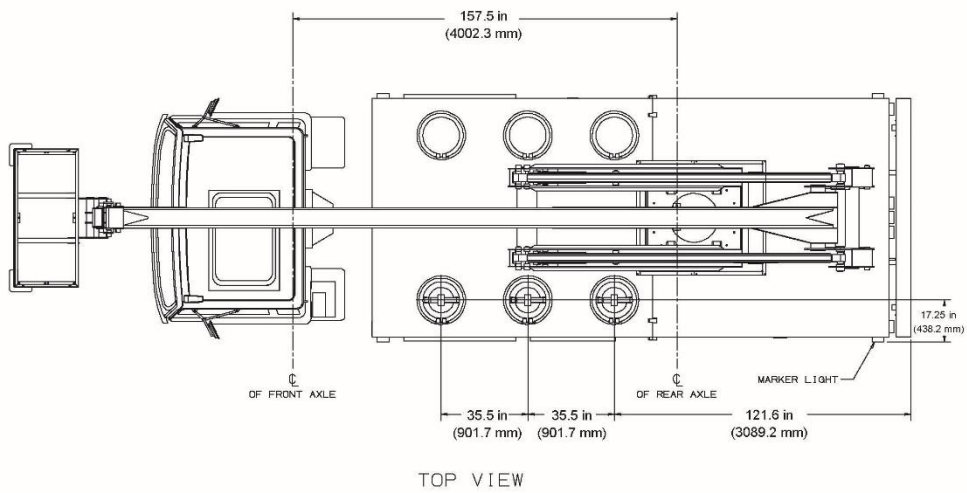


Figure 3
UNIT DIMENSIONS

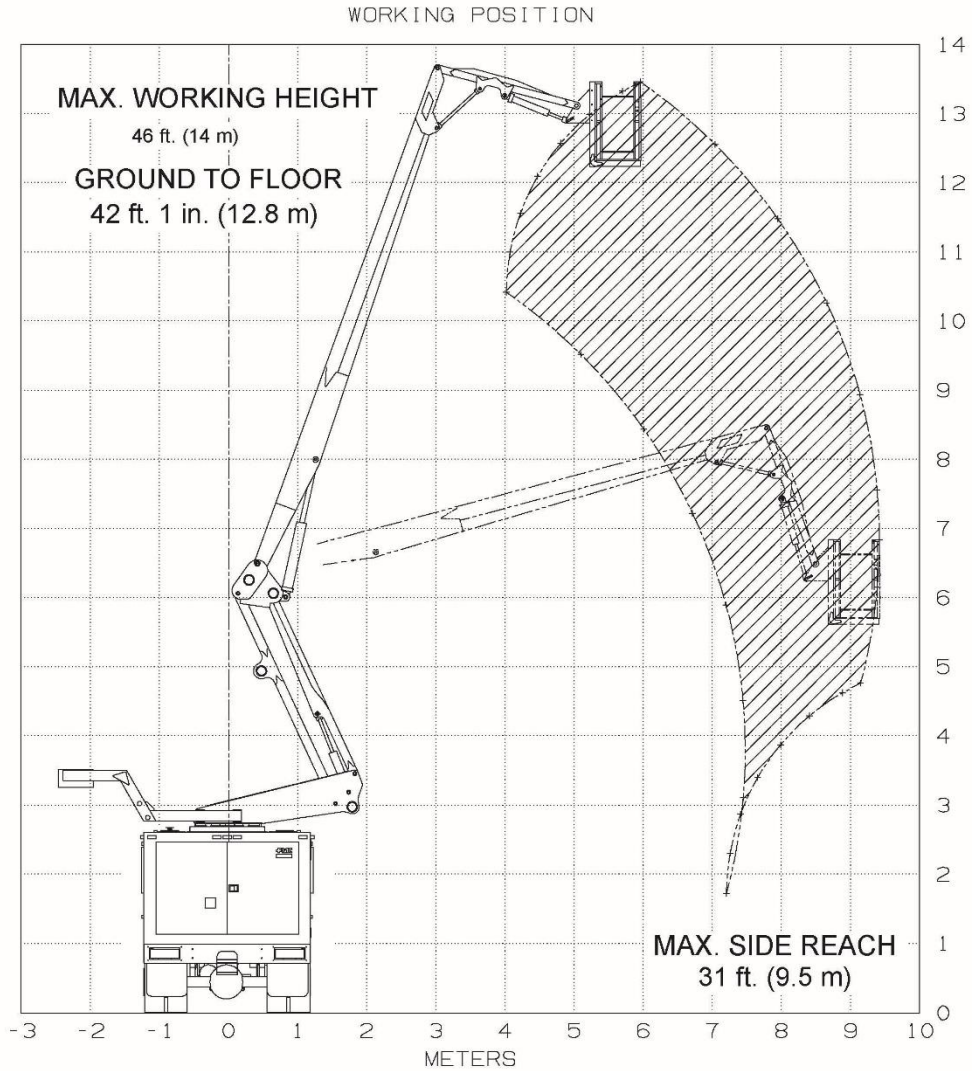


Figure 4
BOOM REACH CHART